



technical specifications



1/6 BBL



20L



30L

GENERAL

Life Cycle	Single Use		
Valve	S, D		
Product types	Beverages		

DIMENSIONS

Volume	5.16 gal	5.28 gal	7.93 gal
Diameter	240 mm		300 mm
Height	22.13"	22.52"	
Weight	2.6 lbs		2.9 lbs

FILLING

Fill before	12 months after production		
Suitable for automatic filling	Yes		
Filling position	Right side up - upside down		
Pre-pressure	20 psi N ₂ (± 4 psi)		

BARRIER PROPERTIES

O ₂ pick-up after 9 months at 68 °F	0 ppb		
CO ₂ loss after 9 months at 68 °F	< 8%		
UV ingress	UV-light barrier		

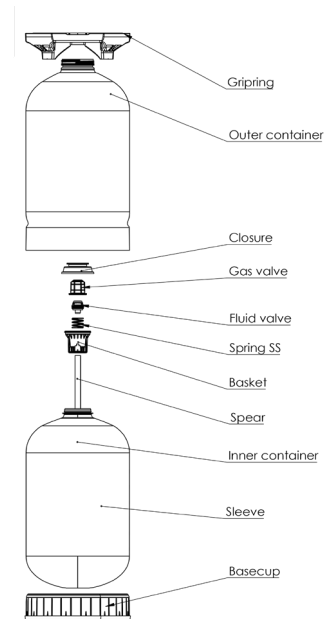
PHYSICAL-MECHANICAL

Temperature range	32-104°F		
Max. dispense pressure	60 psi		
Max. working pressure	87 psi		



MATERIALS

Gripring	<i>rPP</i>
Outer container	<i>Clear PET</i>
Closure	<i>PA-GF30</i>
Gas valve	<i>PP</i>
Fluid valve	<i>PP</i>
Spring	<i>Stainless Steel</i>
Basket	<i>PP</i>
Spear	<i>PE</i>
Inner container	<i>Amber PET</i>
Sleeve	<i>PE</i>
Basecup	<i>rPP</i>



All food contact materials are approved according to regulations FDA 21 CFR 177.1520, EC 1935/2004, EU 10/2011 and/or further amendments.

SUSTAINABILITY

<i>Recyclability (according to ISO 18604)</i>	65%
<i>Circular materials used</i>	45%

